

I-BLOCK™



Trim it to fit!

www.trimfitllc.com • (573) 291-0101

WELCOME TO TRIM FIT

Trim Fit, LLC manufactures the I-Block, a ready-to-use component, for the trim-able floor truss market.

WHAT IS AN



I-Blocks are:

- 16" end panels
- Inserted & plated into any standard open wood or metal web floor truss
- Manufactured in 3" x 2" & 4" x 2" chord dimensions
- Inserts that can be applied to one or both ends of a truss
- Made of solid-sawn Southern Yellow Pine

Also:

- Each web is finger-jointed & glued into the top & bottom chord of the block
- All standard floor truss heights available = greater flexibility
- I-Blocks allow maximum of 12" of trimming on jobsite



I-Blocks are made of solid-sawn Southern Yellow Pine. The solid wood construction provides uncompromised durability and strength.



WHY CHOOSE



I-Blocks are the easiest and fastest way to get into the rapidly growing trim-able end market! The I-Block is the obvious choice because:

- They are pre-cut, trimmed to exactly 16"
- They can be built on any standard floor truss machine—no additional equipment is required
- Design software is available from major plate suppliers
- They exceed typical residential loading & are competitively priced



Each web is finger-jointed & glued into the top and bottom chord of the block.

All photos and graphics are for example purposes only and are illustrative of the variety of configurations that can be designed through your truss manufacturer. Specific lumber, truss plate, bearing, etc. details regarding any truss design will be provided by the Truss Designer.

**Derek Moody, Rogers Manufacturing Corp.
West Monroe, LA**

"The product, service and people of Trim Fit have exceeded all our expectations. This product has been a perfect complement to the line of components we offer our customers. It is my opinion they have the most superior product in the business."



MANUFACTURING WITH

Maintain the benefits of open web floor truss design while gaining the flexibility of trim-able ends! The trim-able end floor truss is easy to build and saves valuable time in both design and manufacturing:

- Eliminate one-at-a-time custom designs by designing your trusses with I-Blocks
- Eliminate costly errors
- Required set-ups are reduced, saving production time
- Increased productivity = labor savings = profits
- Maximizing lineal footage output from floor truss equipment = increased annual floor truss sales
- Build your inventory & balance your workload year-round



I-Blocks are pre-cut, trimmed to exactly 16" in length and palletized—ready to go directly to your floor truss machine.

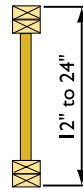
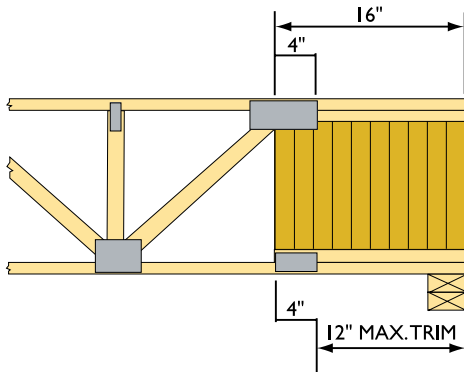
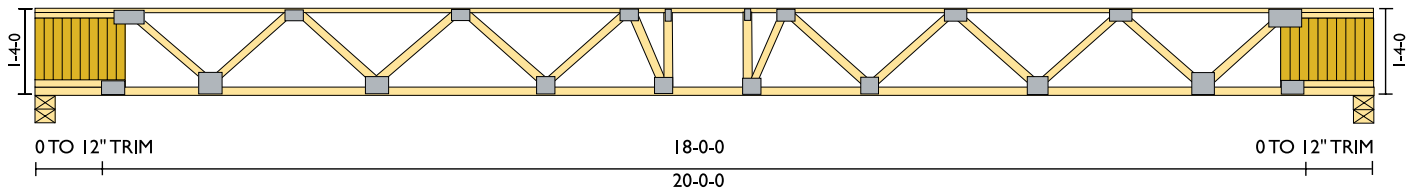
John Roberts, STACC—Scholl Truss and Component Company, Houston, TX

"Using Trim Fit's trim-able ends eliminates the potential for errors and thus minimizes customer dissatisfaction. This allows us to build our reputation so we can build our business, not to mention it saves time and money. The convenience factor in going this route is invaluable."

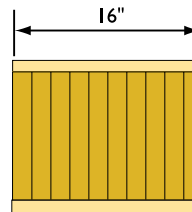


Centrally located in the heart of the Midwest, Trim Fit can easily ship to any location quickly and efficiently.

Unmatched Quality • Engineered Design • Structurally Superior to Other Options



TRIM FIT I-BLOCK
PLATED IN PLANE OF TRUSS



Independent third party
testing by
PFS.



ON SITE WITH

If you can put your product on the jobsite quickly, your customers won't look for alternatives. I-Block can make the difference:

- Just-in-time delivery from plant to jobsite
- Jobsite customization = a perfect fit
- Eliminate costly mistakes & rebuilds
- Meet job deadlines & increase customer satisfaction

I-Blocks are fast, efficient & easy to install because they:

- Provide builders wider nailing surfaces for sub-floor attachment, which speeds gluing & nailing
- Have an open web design that provides chase areas to run mechanicals & saves on bulkheads & soffits
- Make custom fits for stair openings, bays & angled walls easy

Mike Box, Bailey Lumber Jackson, MS

"We like the Trim Fit system because it offers the advantages of open-web trusses with the ease and quick turn-around associated with conventional framing — that's one of the things that makes it work for us and our customers. Also, your [Trim Fit's] trim-able end trusses eliminate errors associated with field dimension changes, which helps eliminate call-backs; and that's also a real advantage for us."



Trim it to fit!

3860 Homeyer Road
Owensville, MO 65066

573.437.4848

sales 573.291.0101

www.trimfitllc.com